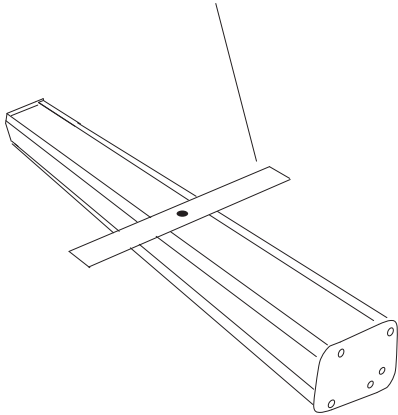


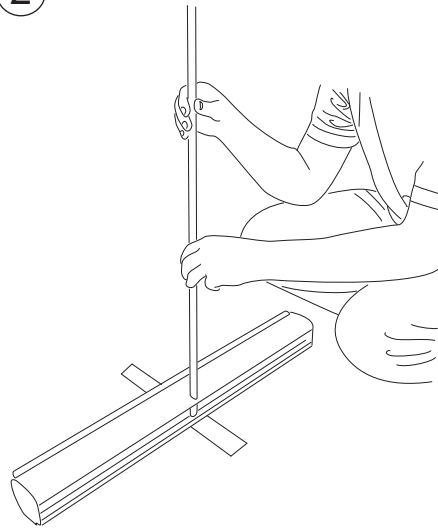
Setting Up Your Budget Banner

1

Rotate the leg on the underside of the cannister.

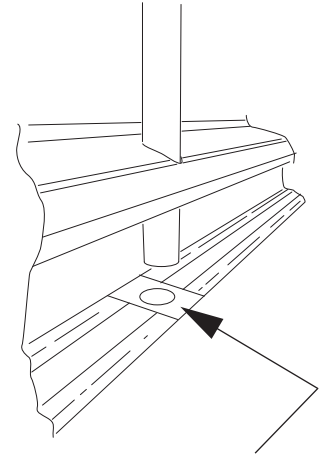
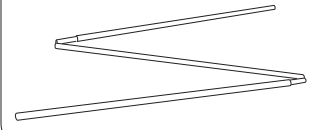


2



Assemble and fit the pole into the hole in the cannister.

Articulated Pole.



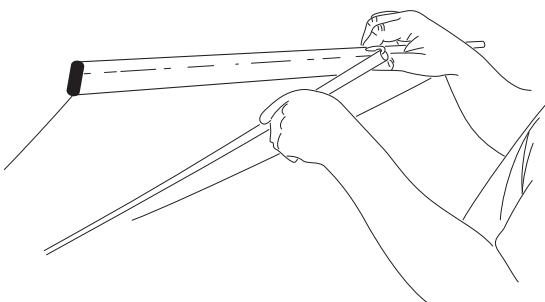
Ensure the pole locates into the holding bracket.

3

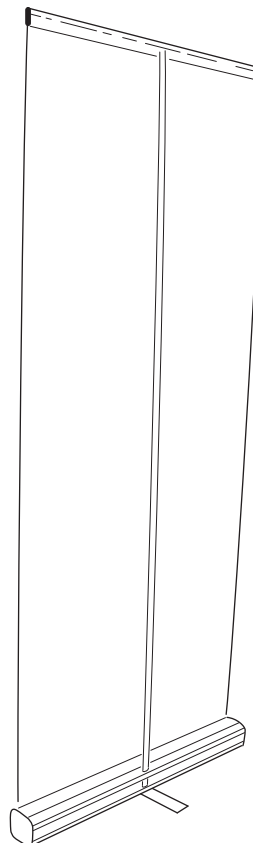


Leaning the pole backwards, extend the top rail with graphic and attach the fixing at the top of the pole.

4



5



Rear view when complete.

Important for take-down
Always guide the banner as it retracts into the cannister. Failure to do so can limit the service life of the banner.